

# SPECIFICATION



## **SP4™ LED SPORT LIGHT**

(Affordable for Your Recreation)

# Features



**DUALRAYS**  
Intelligent Industrial

## SP4 LED Sport Light

*(Affordable for Your Recreation)*

- > Precision Integrated Die-casting ADC12 AL,Excellent Thermal Conductivity;
- > High Brightness LUMILEDS LUXEON SMD3030 2D / SMD5050 LEDs, Meanwell HLG / ELG Driver Optional;
- > IP65 / IK08 Protection;
- > Symmetrical 25°/40°/50°/90° beam angle optional;
- > Surface Spray-paint Finish,Oxidation/Corrosion/Acid Resistant;
- > Multi-scale lens to create well-balanced distribution and reduce glare;
- > Shield to Reduce the Light Glare;
- > Laser Pointer to Assistant Installation for the Best Lamp Position Angle to Get a Optimal Light Distribution;
- > 180°Adjustable Supporting Fixture;
- > Flange Plate for Each Module for a 5°Adjustment;
- > Various intelligent control: 1-10V, DALI,PWM,Zigbee for Option;
- > Customized supported for special projects;

CE RoHS LM-79 LM-80 SAA

- > Precision Integrated Die-casting ADC12 AL,Excellent Thermal Conductivity;
- > High Brightness LUMILEDS LUXEON SMD3030 2D / SMD5050 LEDs, , Meanwell HLG / ELG Driver;
- > Built-in Plug and Play Motion Sensor with Compact Structure;
- > IP65 / IK08 Protection;
- > Symmetrical 25°/40°/50°/90° beam angle optional;
- > Surface Spray-paint Finish,Oxidation/Corrosion/Acid Resistant;
- > Multi-scale lens to create well-balanced distribution and reduce glare;
- > Shield to Reduce the Light Glare;
- > 180°Adjustable Supporting Fixture;
- > Laser Pointer to Assistant Installation for the Best Lamp Position Angle to Get a Optimal Light Distribution;
- > Flange Plate for Each Module for a 5°Adjustment;
- > Various intelligent control: 1-10V, DALI,PWM,Zigbee for Option;
- > No UV or IR and completely mercury free;
- > L70/B20 @ 70.000h;

### Options:

- > Driver: Meanwell ELG/HLG driver;
- > Controls and Dimming: 1-10V, DALI,PWM,Zigbee;
- > Surge Protection Device: Meanwell SPD-20 20KV Surge Protector;
- > Lens : Symmetrical 25°/40°/50°/90°;
- > Aiming Device: Laser Pointer;
- > Light Glare: Shield;

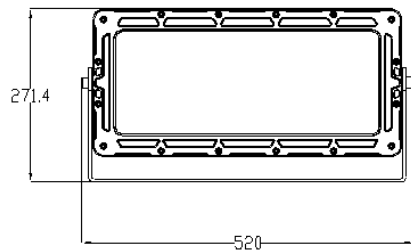
## Application

- > Logistics areas (Ports)
- > Stadiums and Racing tracks
- > Public squares
- > Apron lighting (Airports), Parking and Industrial areas
- > Recreational sports lighting applications (Football, Hockey, Basketball, Golf,Tennis, etc)

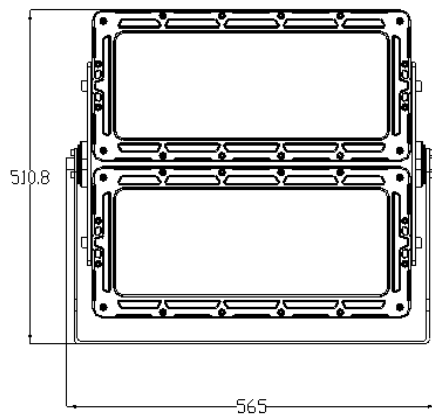
# Technical Parameters

| Model No.                        | DR-SPL300-DGX   | DR-SPL600-DGX | DR-SPL900-DGX | DR-SPL1200-DGX | DR-SPL1500-DGX | DR-SPL1800-DGX |
|----------------------------------|---|---------------|---------------|----------------|----------------|----------------|
| <b>System Watts/W</b>            | 300W  | 600W          | 900W          | 1200W          | 1500W          | 1800W          |
| <b>System Efficiency/LPW</b>     | 130~140LPW / 150~160LPW Optional  |               |               |                |                |                |
| <b>Lumen Output(Max)/lm</b>      | 48.000±5%   | 96.000±5%     | 144.000±5%    | 192.000±5%     | 240.000±5%     | 288.000±5%     |
| <b>Rated Input Voltage/V</b>     | AC100~277V, 50/60Hz   |               |               |                |                |                |
| <b>LEDs Light Source</b>         | SMD5050   |               |               |                |                |                |
| <b>SDCM</b>                      | <5  |               |               |                |                |                |
| <b>CCT/K</b>                     | 5000K for Standard (3000K/4000K/5700K/6500K Optional)                     |               |               |                |                |                |
| <b>CRI/Ra</b>                    | >70Ra (>80Ra for Option)  |               |               |                |                |                |
| <b>Power Factor</b>              | >0.95   |               |               |                |                |                |
| <b>THD</b>                       | <10%  |               |               |                |                |                |
| <b>Beam Angle(Optional)</b>      | Symmetrical 25°/40°/50°/90° beam angle Optional                           |               |               |                |                |                |
| <b>UGR</b>                       | <25   |               |               |                |                |                |
| <b>Surge Protection</b>          | 4~6KV SPD built in Driver, Exterior SPD 20KV Meanwell Optional            |               |               |                |                |                |
| <b>LED Driver</b>                | Meanwell ELG / HLG Optional   |               |               |                |                |                |
| <b>IP Rating</b>                 | IP65  |               |               |                |                |                |
| <b>Dimming(Optional)</b>         | 1-10V, DALI,PWM,Zigbee for Option   |               |               |                |                |                |
| <b>Safety Protection</b>         | Open Circuit / Short Circuit / Over-voltage / Over Temperature Protection |               |               |                |                |                |
| <b>Start Time</b>                | 0.5s  |               |               |                |                |                |
| <b>Protection Class</b>          | Class I   |               |               |                |                |                |
| <b>Finishing Color(Optional)</b> | Black RAL9017(Standard) / White RAL9016 Matt Optional                     |               |               |                |                |                |
| <b>Material</b>                  | Aluminum+PC   |               |               |                |                |                |
| <b>Lifespan/hrs</b>              | 70.000 Hrs (Ta=30°C@L70)  |               |               |                |                |                |
| <b>Operation Temp/°C</b>         | -40°C to + 50°C(-40°F to 122°F)   |               |               |                |                |                |
| <b>Storage Temp/°C</b>           | -40°C to + 65°C(-40°F to 149°F)   |               |               |                |                |                |
| <b>Switching Cycles</b>          | 100,000 Times   |               |               |                |                |                |
| <b>Certificate</b>               | CE(EMC+LVD),RoHS,ENEC ,D-Mark,SAA,RCM Available                           |               |               |                |                |                |

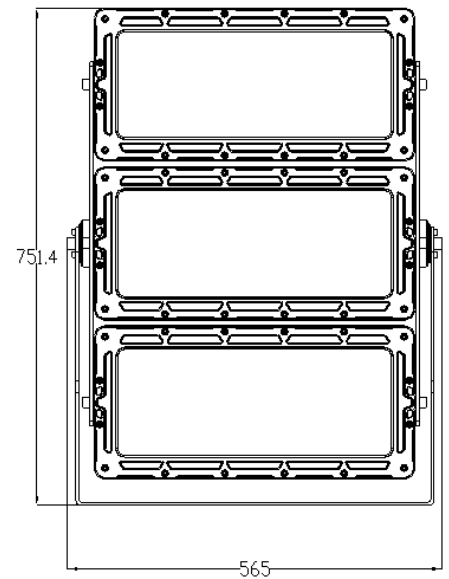
## Dimensions



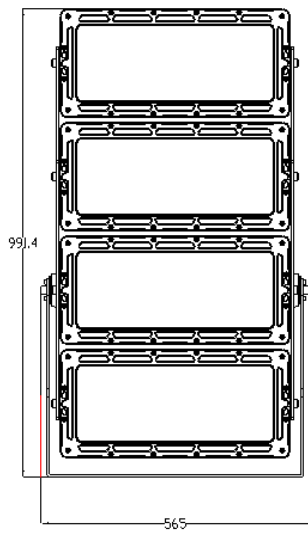
**300W**



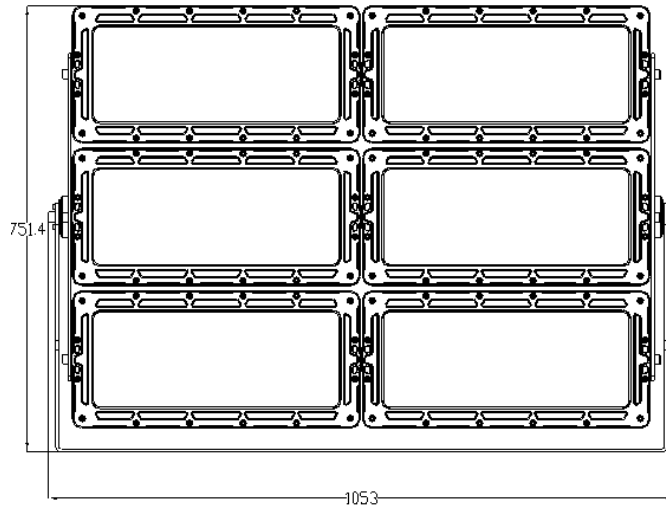
**600W**



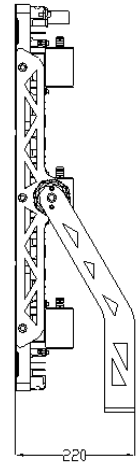
**900W**



**1200W**

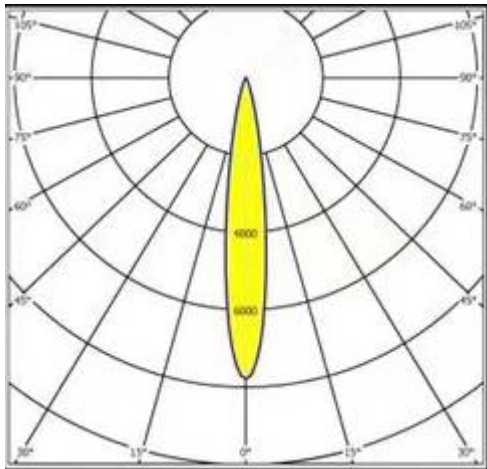


**1500/1800W**

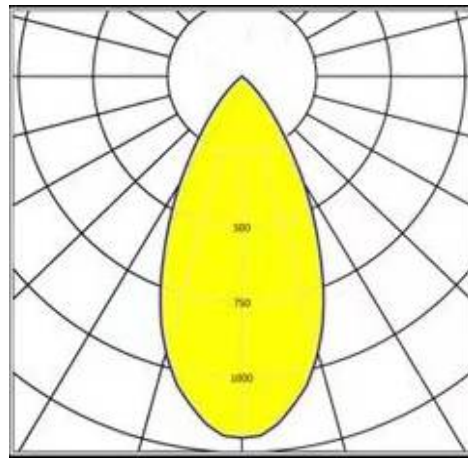


**Side View**

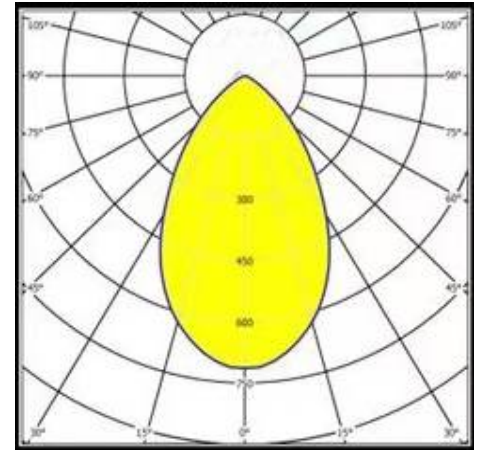
## Photometry Diagram



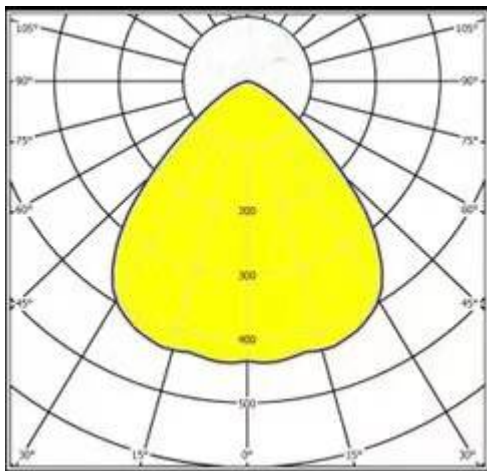
**20°**



**40°**



**50°**

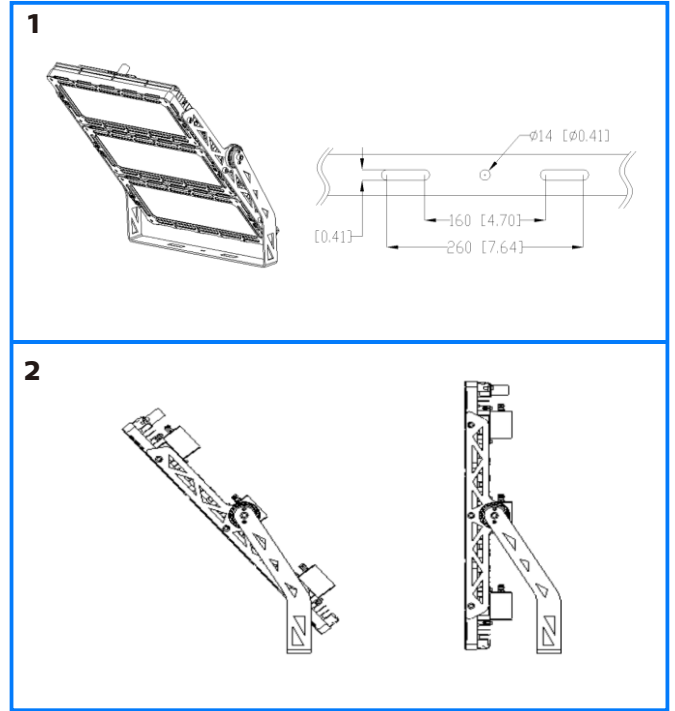


**90°**



# Installation

1. Figure 1 shows the bolt pattern of the mount.
2. Secure the fixture using the 2 mounting holes.
3. Connect the dimming wires.
4. Adjust the lamp angle to what you need.



## INSTALLATION GUIDE

### IMPORTANT SAFETY INFORMATION:

Please read all the instructions below before installation

- > Make sure that the supply voltage corresponds to the rated product voltage;
- > The product must be installed by a qualified electrician in accordance with the National Electrical Code and corresponding local codes.
- > If the product is damaged, do not use it!



Turn Off Power Supply

## Wiring Diagram



### RISK OF PERSONAL INJURY – READ and follow all WARNINGS and installation instructions.

Keep or give to the owner for future reference.

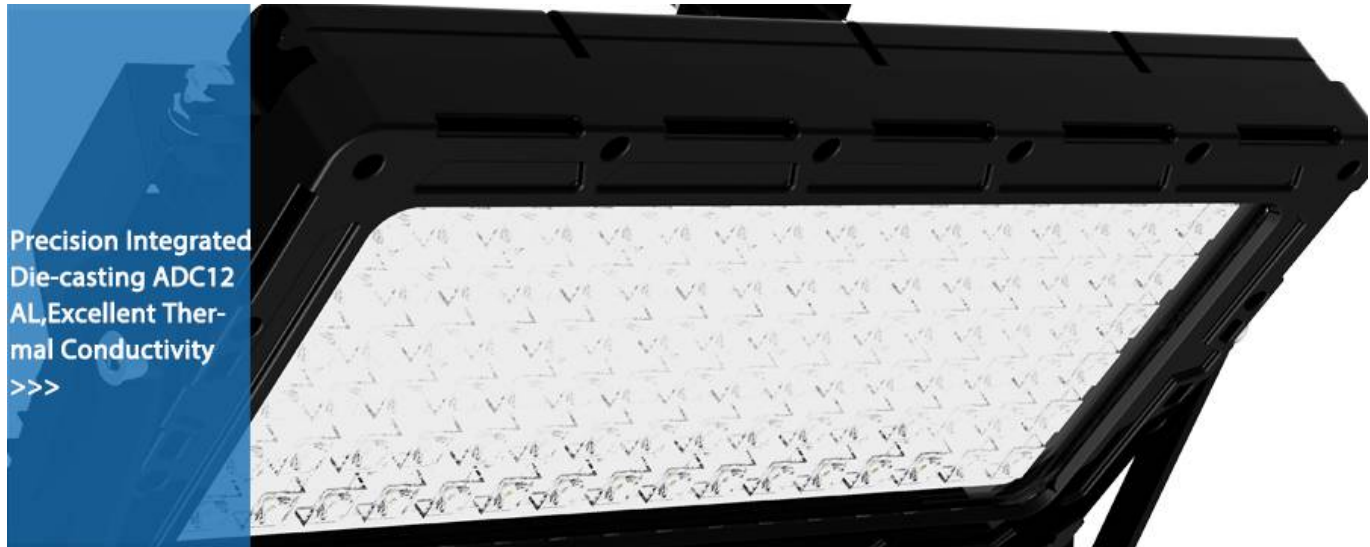
- Risk of cuts:** Wear gloves to prevent cuts or abrasions when removing from carton, handling, installing, and maintaining this product.
- Risk of electric shock:** This product must be installed in accordance with the applicable installation code by a person familiar with the construction and operation of the product and the hazards involved.
- Risk of Fire:** Minimum 194°F supply conductors. Consult a qualified electrician to ensure correct branch circuit conductor.

DUALWAYS® assumes no responsibility for claims arising out of improper or careless Installation or handling of this product.

## Packaging Information

| Model No.      | Net Weight/Kg | Outer Carton Size/mm | Gross Weight/Kg | QTY"/CTN |
|----------------|---------------|----------------------|-----------------|----------|
| DR-SPL300-DGX  | 8.5           | 585*315*260          | 9.7             | 1PCS     |
| DR-SPL600-DGX  | 17.4          | 625*620*260          | 18.8            | 1PCS     |
| DR-SPL900-DGX  | 26.1          | 625*820*260          | 28.2            | 1PCS     |
| DR-SPL1200-DGX | 34.2          | 625*1150*260         | 36.5            | 1PCS     |
| DR-SPL1500-DGX | 39.3          | 790*1240*260         | 42.5            | 1PCS     |
| DR-SPL1800-DGX | 42.1          | 790*1240*260         | 46.3            | 1PCS     |

## Details Demo



180°Adjustable  
Supporting Fixture  
>>>



## Application Reference

